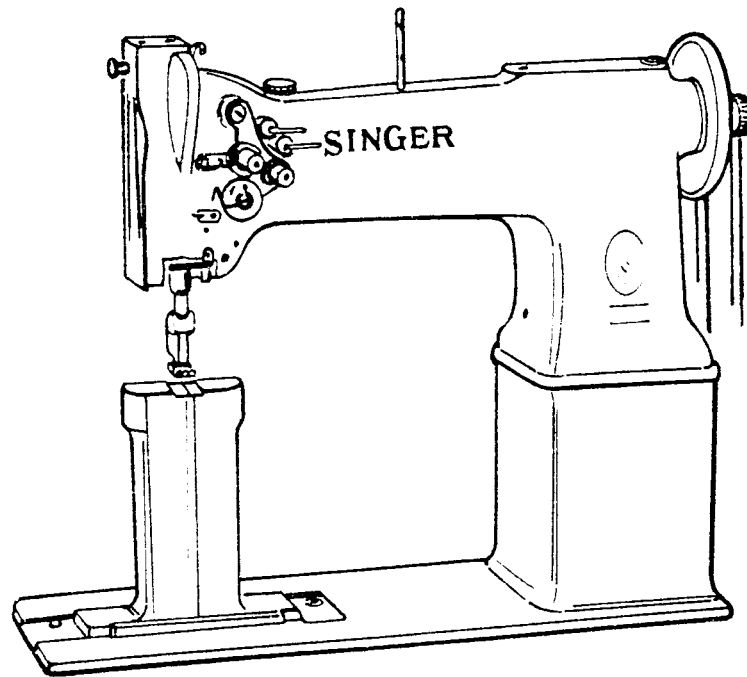


SINGER
138G101

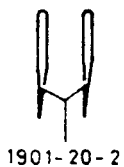
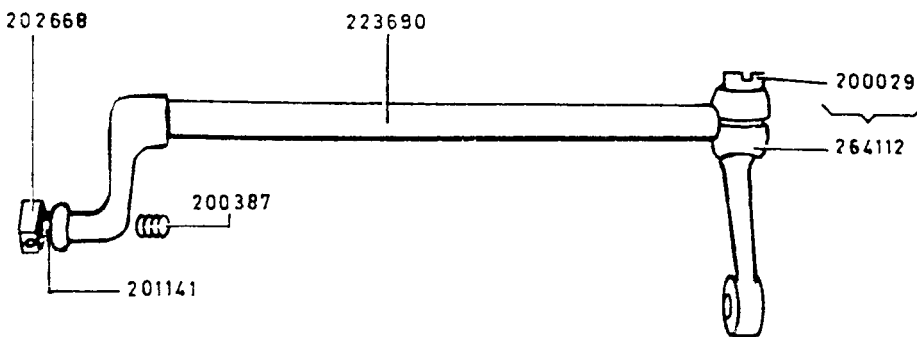
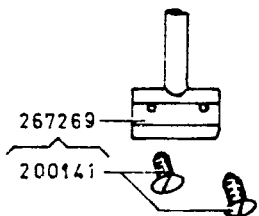
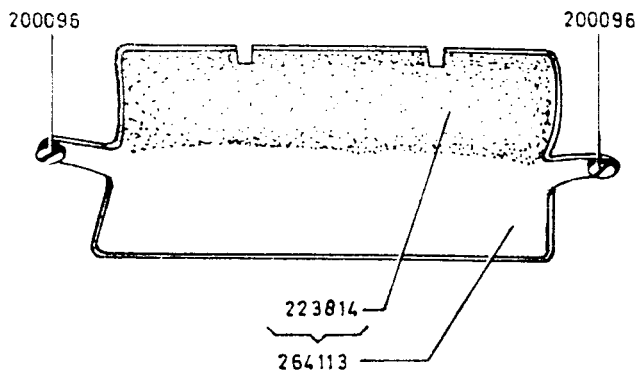
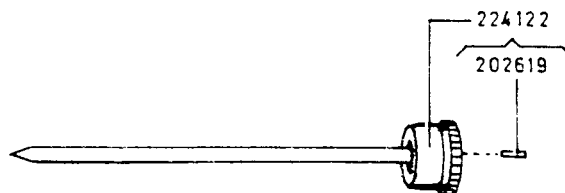
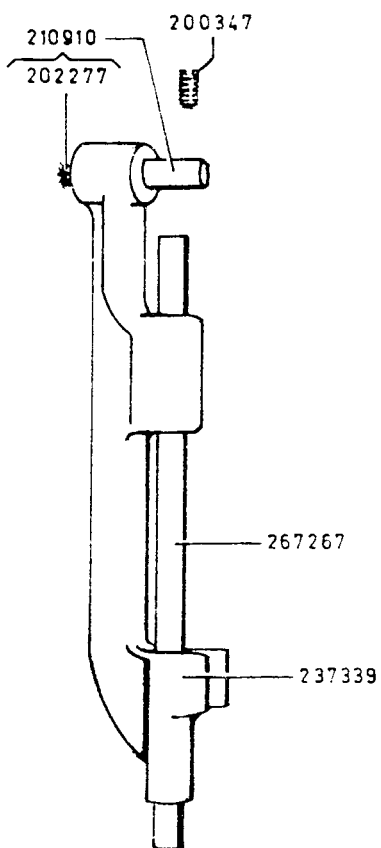
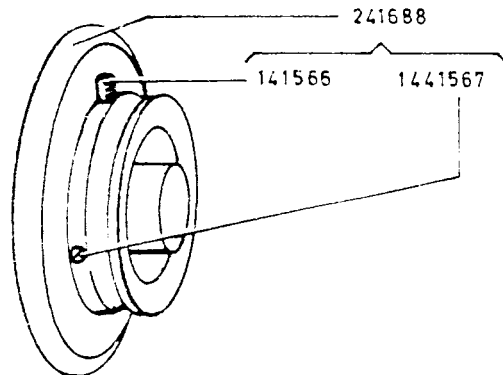
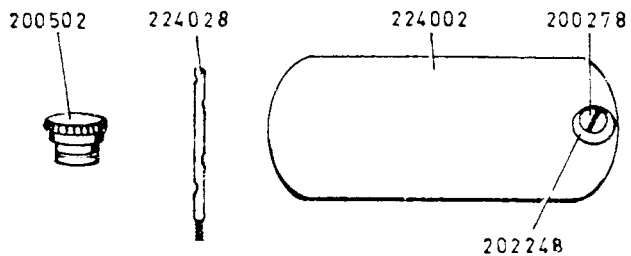
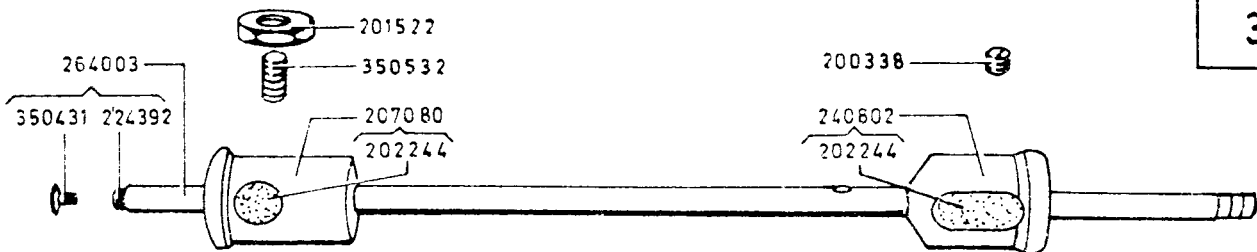
ILLUSTRATED PARTS LIST
FOR



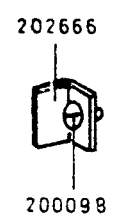
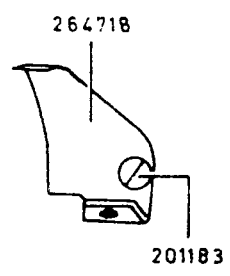
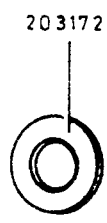
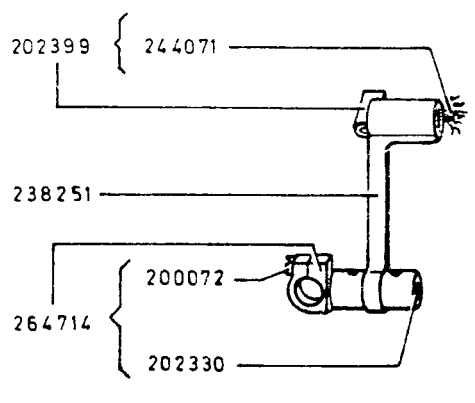
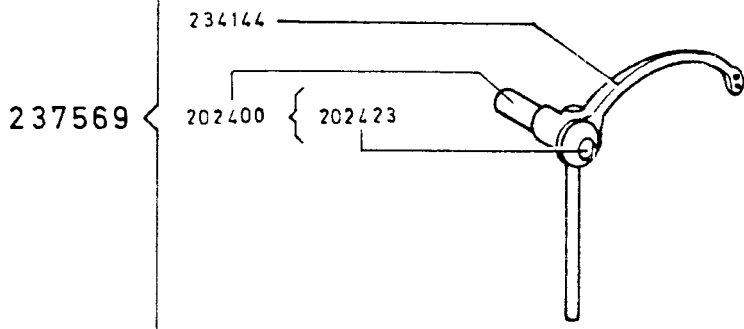
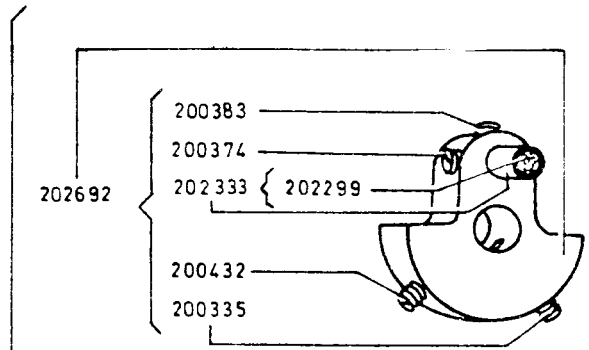
SINGER MACHINE 138G 101
TWO NEEDLE LOCK STITCH COMPOUND FEED

FORM 30-352 G (952)
PRINTED IN U.S.A.

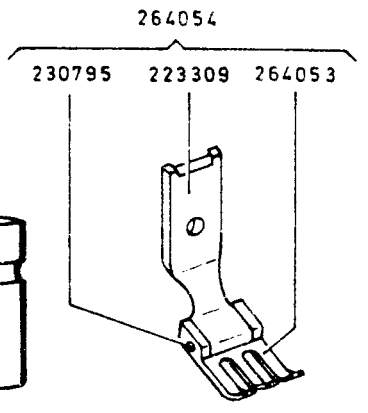
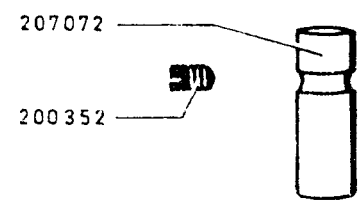
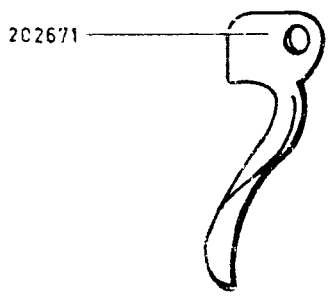
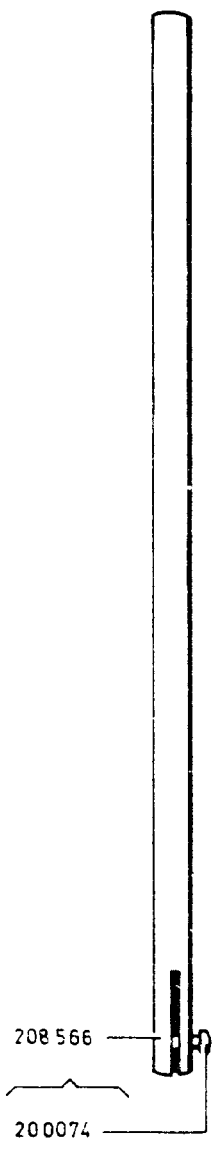
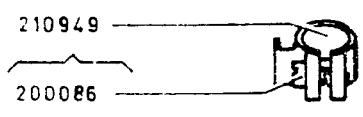
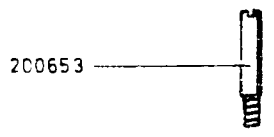
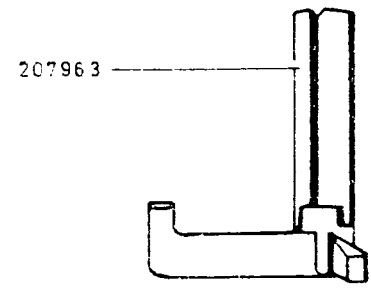
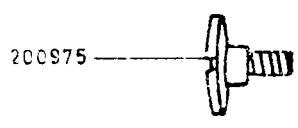
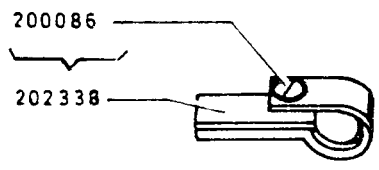
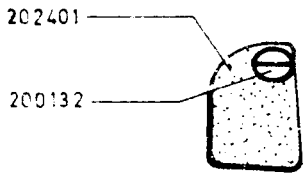
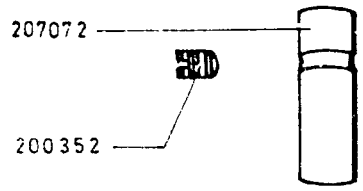
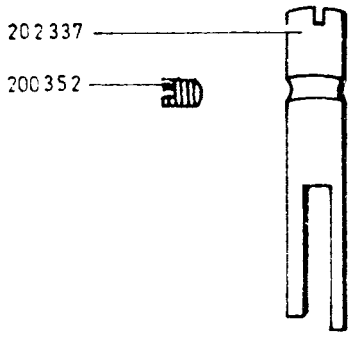
PART NO.	DESCRIPTION
1901-20-2	NEEDLE (2)
141566-803	MACHINE PULLEY POSITION SCREW
141567-803	MACHINE PULLEY SET SCREW
200029-805	NEEDLE BAR ROCK FRAME ROCK SHAFT CRANK PINCH SCREW
200096-804	BED OIL GUARD SCREW (2)
200141-833	NEEDLE SET SCREW (2)
200278-819	ARM CAP SCREW
200338-803	ARM SHAFT BUSHING (BACK) SET SCREW
200347-833	NEEDLE BAR ROCK FRAME HINGE STUD SET SCREW
200387-803	NEEDLE BAR ROCK FRAME SLIDE BLOCK SCREW STUD SET SCREW
200502-819	ARM SHAFT BUSHING (FRONT) OIL PACKING THUMB SCREW
201141-803	NEEDLE BAR ROCK FRAME SLIDE BLOCK SCREW STUD
201522-805	ARM SHAFT BUSHING (FRONT) SET SCREW NUT
202244	ARM SHAFT BUSHING (FRONT) OIL PACKING (WICK)
202244	ARM SHAFT BUSHING (BACK) OIL PACKING (WICK)
202248	ARM CAP SCREW WASHER
202277	NEEDLE BAR ROCK FRAME HINGE STUD OIL PACKING (WICK)
202619	FEED REGULATING SPINDLE HEAD PIN
202668	NEEDLE BAR ROCK FRAME SLIDE BLOCK
207080	ARM SHAFT BUSHING (FRONT) WITH 202244
210910	NEEDLE BAR ROCK FRAME HINGE STUD WITH 202277
223690	NEEDLE BAR ROCK FRAME ROCK SHAFT
223814	BED OIL GUARD FELT
224002	ARM CAP
224028	THREAD GUIDE
224122	FEED REGULATING SPINDLE WITH 202619
224392	ARM SHAFT OIL PACKING (WICK)
237339	NEEDLE BAR ROCK FRAME
240802	ARM SHAFT BUSHING (BACK) WITH 202244
241688	MACHINE PULLEY CPL. 141566, 141567
264003	ARM SHAFT WITH 224392 AND 350431
264112	NEEDLE BAR ROCK FRAME ROCK SHAFT CRANK WITH 200029
264113	BED OIL GUARD WITH 223814
267267	NEEDLE BAR
267269	NEEDLE HOLDER WITH TWO 200141
350431-805	ARM SHAFT OIL PACKING STOP SCREW
350532-805	ARM SHAFT BUSHING (FRONT) SET SCREW



PART NO.	DESCRIPTION
200072-803	NEEDLE BAR CONNECTING STUD PINCH SCREW
200098-806	NEEDLE BAR ROCK FRAME POSITION BRACKET SCREW
200335-803	NEEDLE BAR CRANK SET SCREW
200374-830	NEEDLE BAR CONNECTING LINK STUD SET SCREW
200383-803	NEEDLE BAR CONNECTING LINK STUD SET SCREW
200383-803	TAKE-UP LEVER HINGE STUD SET SCREW
200432-803	NEEDLE BAR CRANK POSITION SCREW
201183-804	NEEDLE BAR CONNECTING LINK OIL GUARD SCREW
202299	NEEDLE BAR CONNECTING LINK STUD OIL PACKING (WICK)
202330	NEEDLE BAR CONNECTING STUD OIL PACKING (WICK)
202333	NEEDLE BAR CONNECTING LINK STUD WITH 202299
202399	TAKE-UP LEVER DRIVING STUD WITH 244071
202400	TAKE-UP LEVER HINGE STUD WITH 202423
202423	TAKE-UP LEVER HINGE STUD OIL PACKING (WICK)
202666	NEEDLE BAR ROCK FRAME POSITION BRACKET
202692	NEEDLE BAR CRANK WITH 200335, 200374, 200383, 200432, 202333
203172	NEEDLE BAR CRANK FRICTION WASHER
234144	TAKE-UP LEVER
237569	NEEDLE BAR CRANK WITH 202692, 202399, 202400, 234144, 238251 AND 264714
238251	NEEDLE BAR CONNECTING LINK
244071	TAKE-UP LEVER DRIVING STUD OIL PACKING (WICK)
264714	NEEDLE BAR CONNECTING STUD WITH 200072, 202330
264718	NEEDLE BAR CONNECTING LINK OIL GUARD

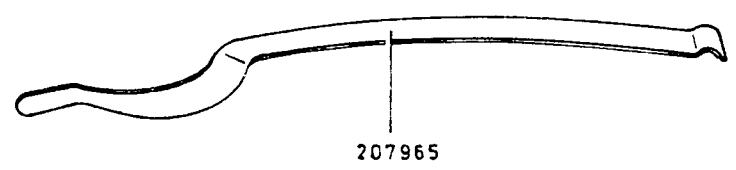
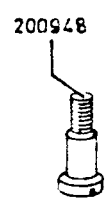
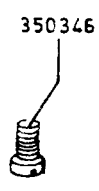
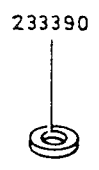
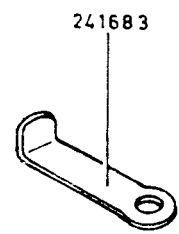
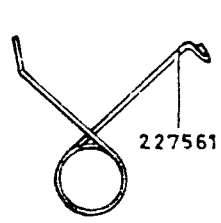
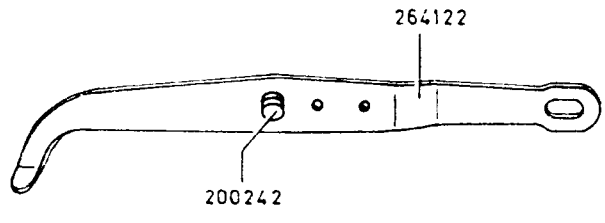
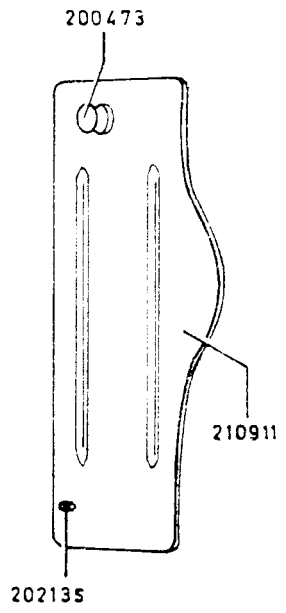
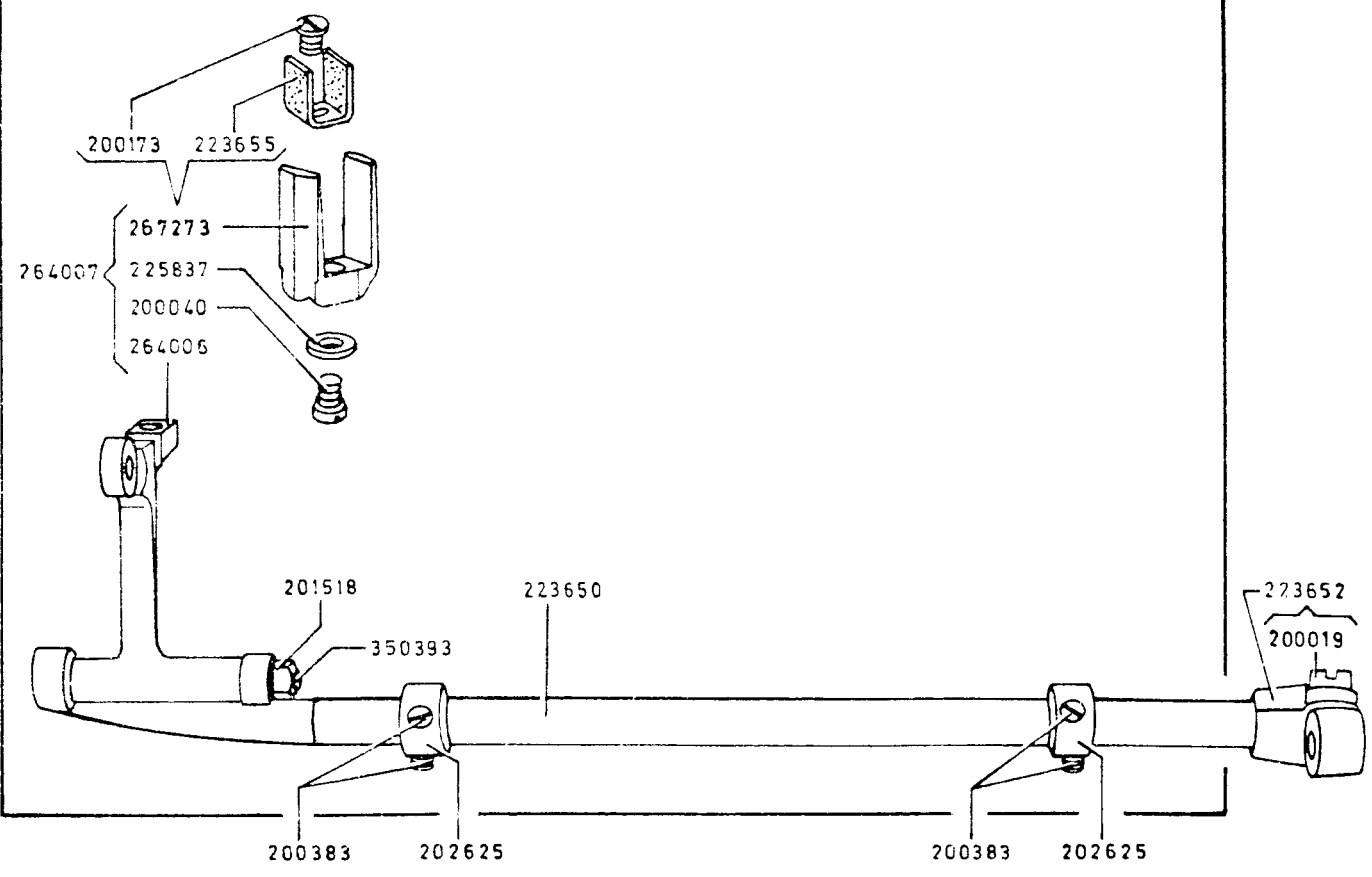


PART NO.	DESCRIPTION
200074-806	PRESSER FOOT SCREW
200086-833	PRESSER BAR SPRING BRACKET PINCH SCREW
200086-833	PRESSER BAR POSITION GUIDE LEVER PINCH SCREW
200132-805	TAKE-UP LEVER OILING FELT SCREW
200352-830	PRESSER BAR BUSHING SET SCREW (UPPER)
200352-830	PRESSER BAR BUSHING SET SCREW (LOWER)
200352-833	PRESSER BAR POSITION GUIDE SET SCREW
200653-803	PRESSER BAR LIFTER HINGE SCREW
200975-850	PRESSER BAR LIFTING RELEASING LEVER BRACKET GUIDE SCREW
202337	PRESSER BAR POSITION GUIDE
202338	PRESSER BAR POSITION GUIDE LEVER WITH 200086
202401	TAKE-UP LEVER OILING FELT
202671	PRESSER BAR LIFTER
206608	PRESSER BAR LIFTING RELEASING LEVER BRACKET SPRING
207072	PRESSER BAR BUSHING (UPPER)
207072	PRESSER BAR BUSHING (LOWER)
207963	PRESSER BAR LIFTING RELEASING LEVER BRACKET
208566	PRESSER BAR WITH 200074
210949	PRESSER BAR SPRING BRACKET WITH 200086
223309	PRESSER FOOT SHANK
230795	PRESSER FOOT HINGE PIN
235072	TENSION RELEASE LEVER ROD
264053	PRESSER FOOT PLATE
264054	PRESSER FOOT (HINGED) CPL. 46 NEEDLE HOLE, IN GAUGES 7/32, 1/4, 9/32 AND 5/16 INCH, NOS. 223309, 230795 AND 264053

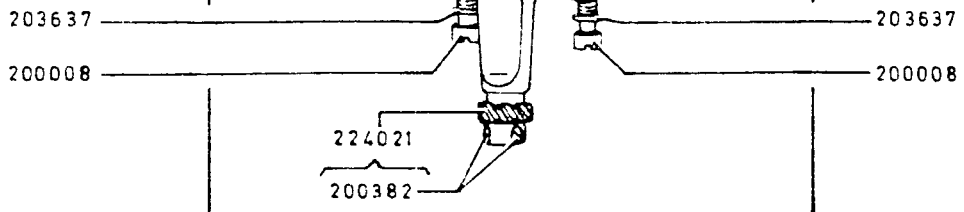
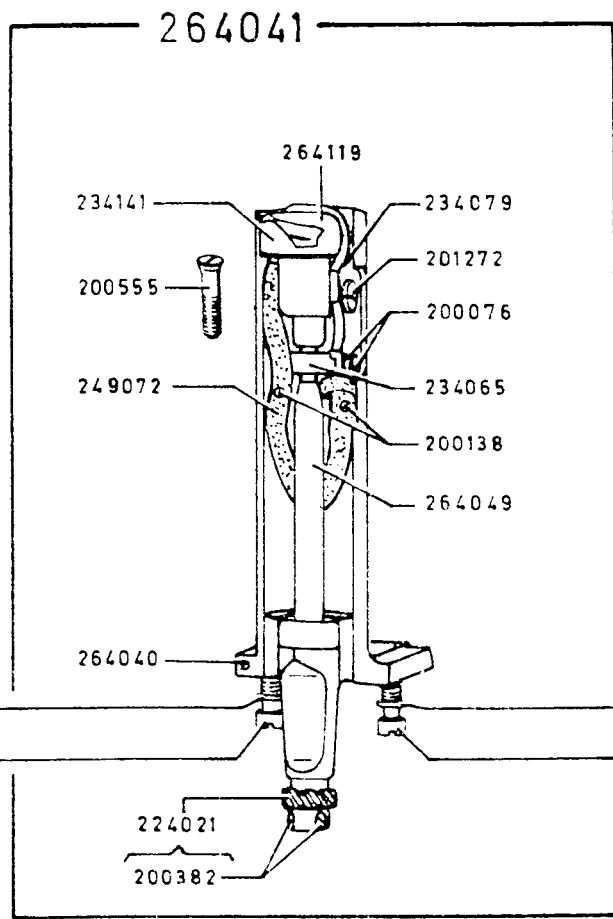
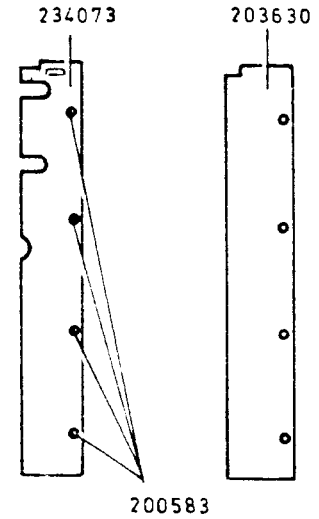
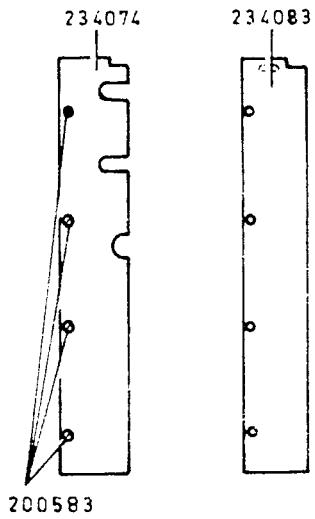
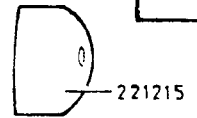
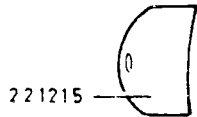


PART NO.	DESCRIPTION
200019-805	FEED DRIVING ROCK SHAFT CRANK PINCH SCREW
200040-833	FEED LIFTING CAM FORK SCREW
200173-804	FEED LIFTING CAM OILING FELT SCREW
200242-819	KNEE LIFTER LIFTING LEVER HINGE SCREW
200383-803	FEED DRIVING ROCK SHAFT STOP COLLAR SET SCREW (4)
200473-819	FACE PLATE THUMB SCREW
200948-806	PRESSER BAR SPRING SUPPORT SCREW
201518-805	FEED BAR HINGE SCREW NUT
202135	FACE PLATE POSITION PIN
202625	FEED DRIVING ROCK SHAFT STOP COLLAR (2) WITH TWO EACH 200383
207965	PRESSER BAR SPRING (FLAT)
210911	FACE PLATE
223650	FEED DRIVING ROCK SHAFT
223652	FEED DRIVING ROCK SHAFT CRANK WITH 200019
223655	FEED LIFTING CAM OILING FELT
225837	FEED LIFTING CAM FORK SCREW WASHER
227561	FOOT LIFTER LIFTING LEVER SPRING
233390	KNEE LIFTER LIFTING LEVER WASHER
241683	KNEE LIFTER LIFTING LEVER STOP FINGER
264006	FEED BAR
264007	FEED BAR WITH 264006, 200040, 225837 AND 267273
264009	FEED DRIVING ROCK SHAFT WITH 223650, 201518, 264007, 350393
264122	KNEE LIFTER LIFTING LEVER
267273	FEED LIFTING CAM FORK WITH 200173 AND 223655
350346-803	PRESSER BAR SPRING REGULATING SCREW
350393-803	FEED BAR HINGE SCREW (DRIVING)

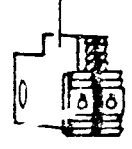
264009



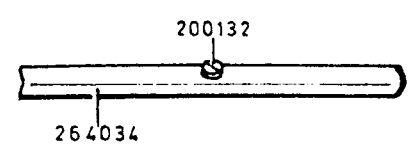
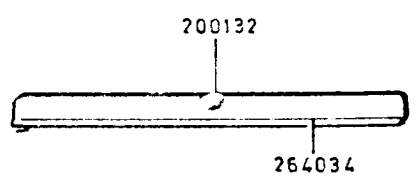
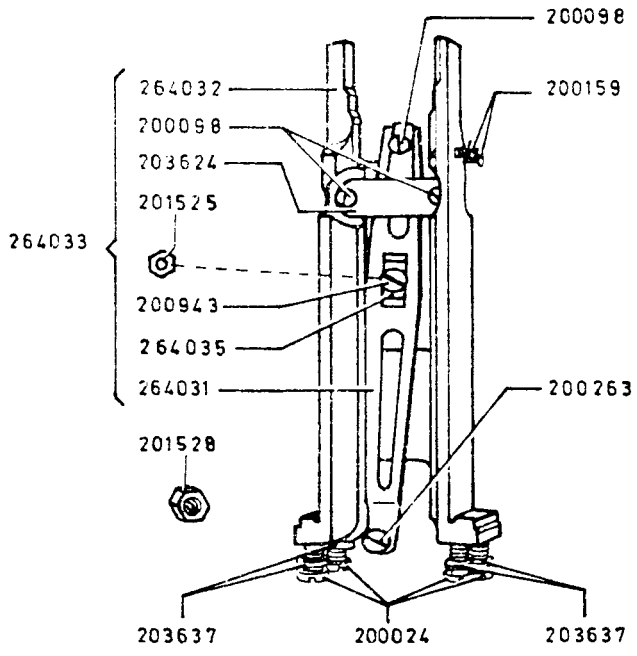
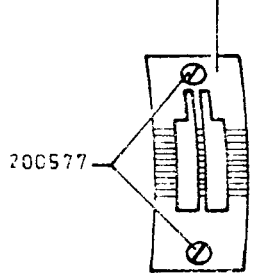
PART NO.	DESCRIPTION
200008-803	HOOK POST SCREW (4)
200024-803	FEED DOG LEVER POST SCREW (4)
200076-804	BOBBIN CASE LEVER DRIVING BLOCK SCREW (2)
200098-805	FEED DOG LEVER RETAINER WASHER SCREW (2)
200098-806	FEED DOG SCREW
200132-805	FEED DOG LEVER POST OIL GUARD SCREW (2)
200138-804	HOOK POST OIL PACKING (WICK) SCREW (2)
200159-806	HOOK POST CLAMPING SCREW (2)
200263-804	FEED DOG LEVER HINGE SCREW
200382-833	HOOK SOCKET GEAR SET SCREW (2)
200555-819	HOOK SOCKET SCREW
200577-833	THROAT PLATE SCREW (2)
200583-803	HOOK POST COVER PLATE SCREW (FRONT RIGHT AND LEFT, BACK RIGHT AND LEFT) (16)
200943-806	FEED DOG LEVER SLIDE BLOCK HINGE SCREW
201272-803	BOBBIN CASE LEVER HINGE SCREW
201525-805	FEED DOG LEVER SLIDE BLOCK HINGE SCREW NUT
201528-804	FEED DOG LEVER HINGE SCREW NUT
203624	FEED DOG LEVER RETAINER WASHER
203630	HOOK POST COVER PLATE (BACK) (INSIDE) FOR MACHINES IN GAUGES 1/8 TO 17/32 INCH
203637	FEED DOG LEVER POST SCREW WASHER (4)
203637	HOOK POST SCREW WASHER (4)
221215	HOOK POST SLIDE (2)
224021	HOOK SOCKET GEAR WITH TWO 200382
234065	BOBBIN CASE LEVER DRIVING BLOCK
234073	HOOK POST COVER PLATE (FRONT) (INSIDE) FOR MACHINES IN GAUGES 1/8 TO 17/32 INCH
234074	HOOK POST COVER PLATE (FRONT) (OUTSIDE) FOR MACHINES IN GAUGES 1/8 TO 17/32 INCH
234079	BOBBIN CASE LEVER
234083	HOOK POST COVER PLATE (BACK) (OUTSIDE) FOR MACHINES IN GAUGES 1/8 TO 17/32 INCH
234141	HOOK WASHER
249072	HOOK POST OIL PACKING (WICK)
264018	FEED DOG, 40 NEEDLE HOLE, FOR NEEDLE SIZES 20 AND 22, IN GAUGES FROM 1/4 INCH
264031	FEED DOG LEVER
264032	FEED DOG LEVER POST
264033	FEED DOG LEVER POST WITH 264032, 200943, 201525, 203624, 264031, 264035 AND TWO 200098
264034	FEED DOG LEVER POST OIL GUARD (2)
264035	FEED DOG LEVER SLIDE BLOCK
264040	HOOK POST
264041	HOOK POST (2) (RIGHT AND LEFT) WITH 264040, 200555, 201272, 224021, 234065, 234079, 234141, 249072, 264049, 264119, TWO EACH 200076 AND 200138
264049	HOOK SOCKET
264102	THROATPLATE, IN GAUGES FROM 1/4 INCH
264119	HOOK AND BOBBIN CASE CPL. 235779 AND 237169 (SEE PAGE 13)



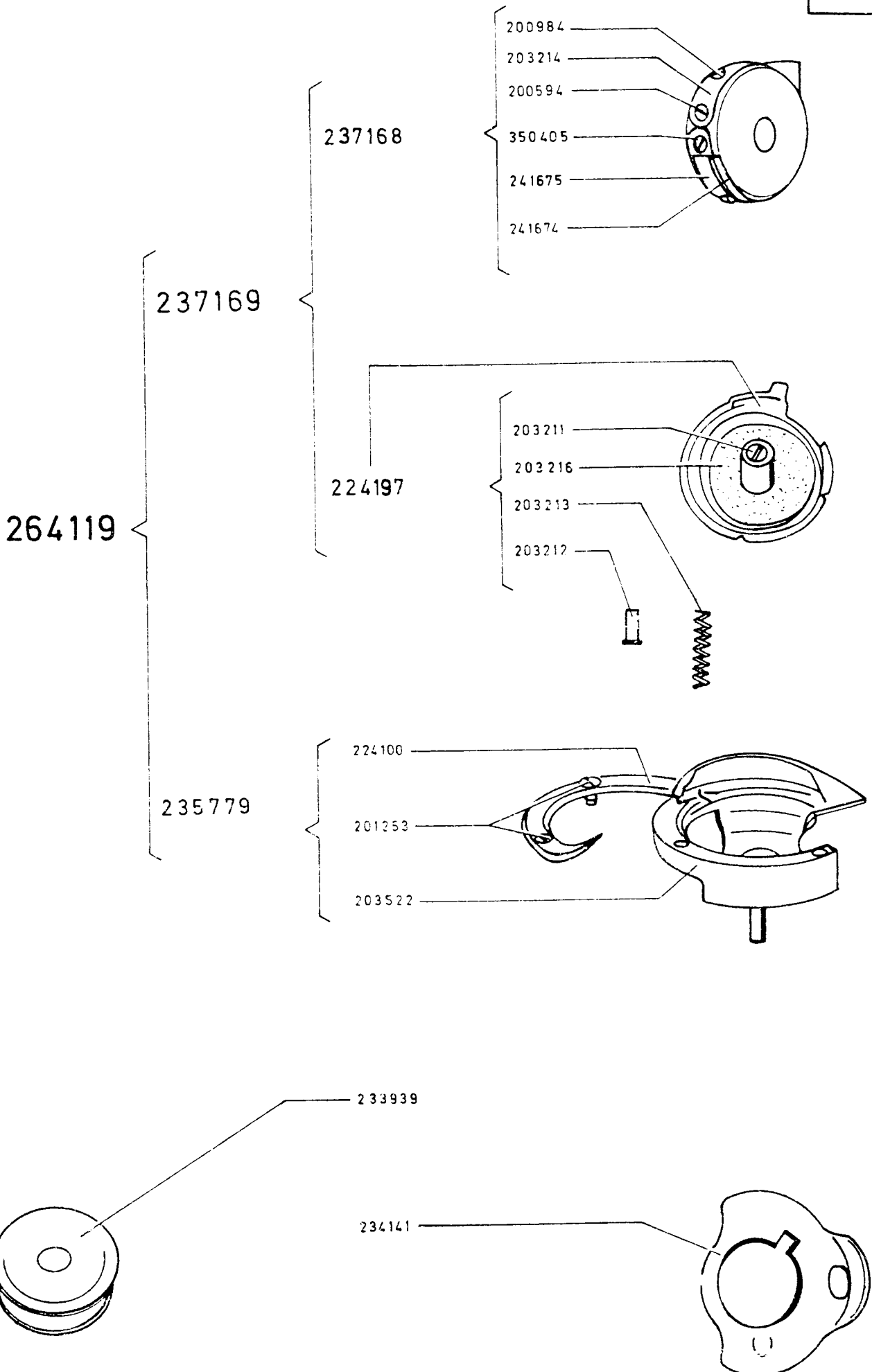
264018 - 1/4



264102 - 1/4

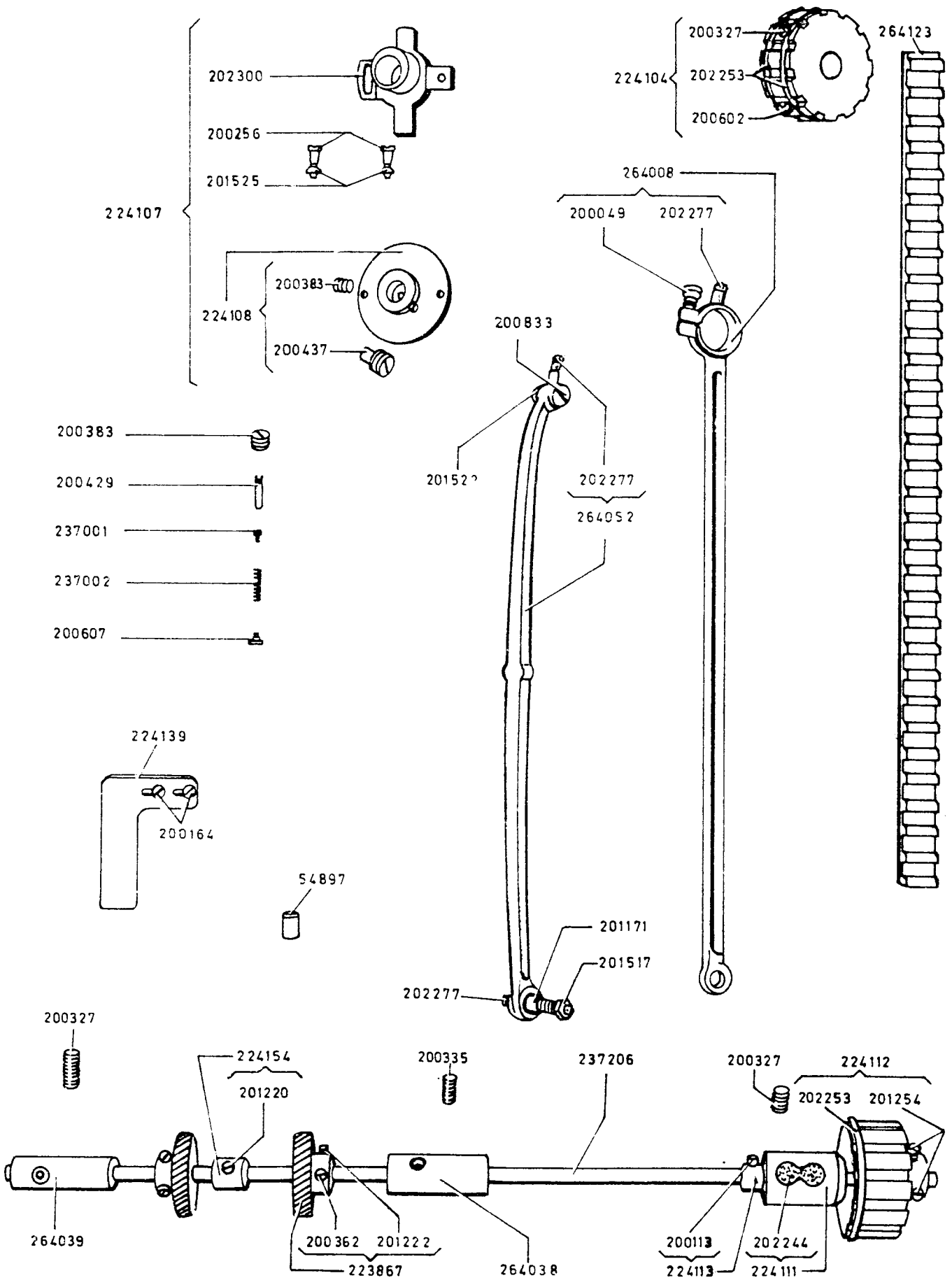


PART NO.	DESCRIPTION
200594-805	BOBBIN CASE TENSION SPRING SCREW
200984-803	BOBBIN CASE TENSION SPRING REGULATING SCREW
201253-806	HOOK CIB SCREW (2)
203211	BOBBIN CASE BASE LATCH
203212	BOBBIN CASE BASE LATCH PLUNGER
203213	BOBBIN CASE BASE LATCH SPRING
203214	BOBBIN CASE TENSION SPRING
203216	BOBBIN CASE WASHER (CLOTH)
203522	HOOK (SEWING)
224100	HOOK CIB
224197	BOBBIN CASE BASE WITH 203211, 203212, 203213 AND 203216
233939	BOBBIN (2)
234141	HOOK WASHER
235779	HOOK WITH 203522, 224100 AND TWO 201253
237168	BOBBIN CASE CAP WITH 200594, 200984, 203214, 241674, 241675, TWO 350405
237169	BOBBIN CASE CPL. NOS. 224197 AND 237168
241674	BOBBIN CASE OILING FELT
241675	BOBBIN CASE OILING FELT RETAINER
264119	HOOK AND BOBBIN CASE CPL. NOS. 235779 AND 237169
350405-803	BOBBIN CASE OILING FELT RETAINER SCREW (2)

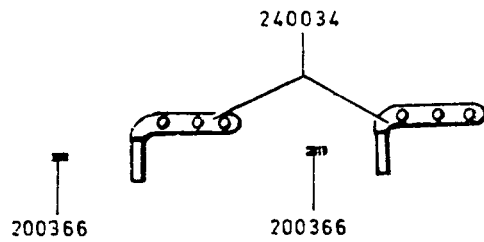
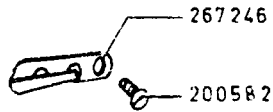
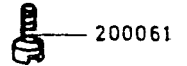
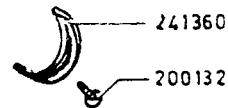
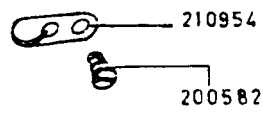
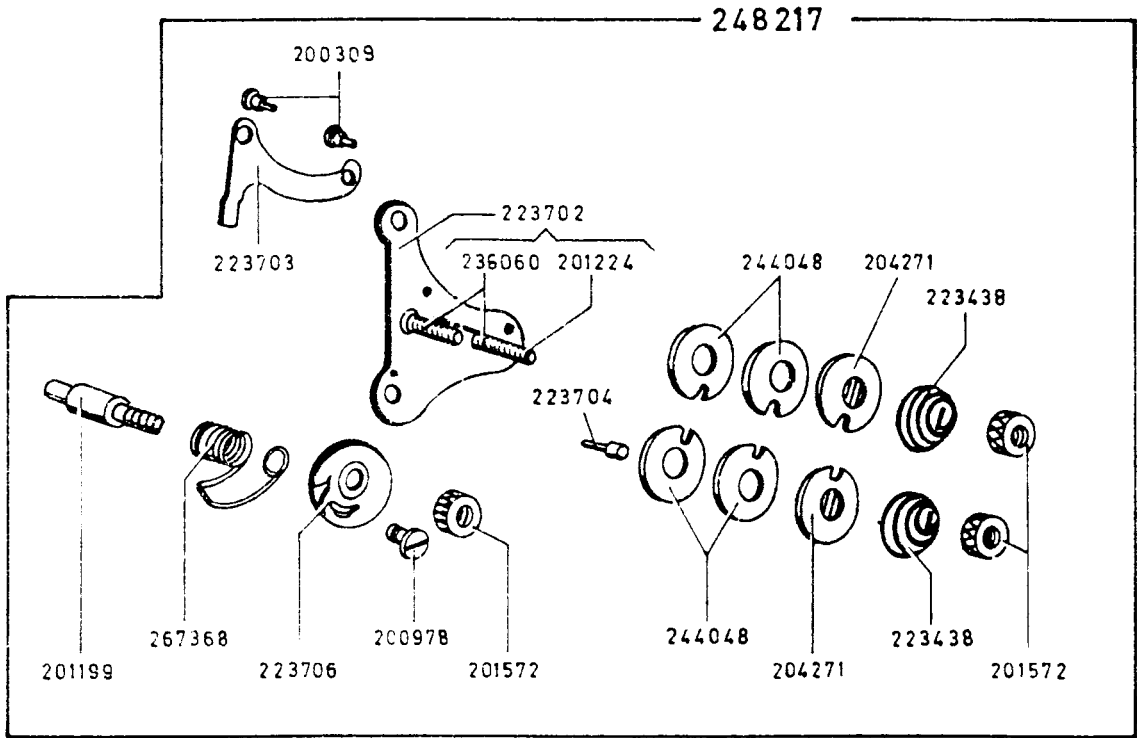


PART NO.	DESCRIPTION
224112	HOOK DRIVING SHAFT CONNECTION BELT PULLEY WITH 202253 AND TWO 201254
224113	ARM SHAFT CONNECTION BELT TIMING COLLAR WITH 200113
224139	ARM SHAFT CONNECTION BELT TIMING PLATE
224154	FEED LIFTING CAM WITH 201220
237001	FEED DRIVING ECCENTRIC REGULATING BRACKET PLUNGER
237002	FEED DRIVING ECCENTRIC REGULATING BRACKET PLUNGER SPRING
237206	HOOK DRIVING SHAFT
264008	FEED DRIVING CONNECTION WITH 200049 AND 202277
264038	HOOK DRIVING SHAFT BUSHING (CENTER)
264039	HOOK DRIVING SHAFT BUSHING (FRONT)
264052	NEEDLE BAR ROCK FRAME ROCK SHAFT CRANK CONNECTION WITH 202277
264123	ARM SHAFT CONNECTION BELT

PART NO.	DESCRIPTION
054897	BED OIL CUP
200049-804	FEED DRIVING CONNECTION PINCH SCREW
200113-850	ARM SHAFT CONNECTION BELT TIMING COLLAR SET SCREW
200164-819	ARM SHAFT CONNECTION BELT TIMING PLATE SCREW (2)
200256-803	FEED DRIVING ECCENTRIC REGULATING BRACKET HINGE SCREW
200256-803	FEED DRIVING ECCENTRIC REGULATING BRACKET STOP SCREW
200327-803	ARM SHAFT CONNECTION BELT PULLEY SET SCREW
200327-803	HOOK DRIVING SHAFT BUSHING (FRONT) SET SCREW
200327-803	HOOK DRIVING SHAFT BUSHING (BACK) SET SCREW
200335-803	HOOK DRIVING SHAFT BUSHING (CENTER) SET SCREW
200362-803	HOOK DRIVING GEAR SET SCREW (2)
200383-803	FEED DRIVING ECCENTRIC REGULATING BRACKET FLANGE SET SCREW
200383-803	FEED DRIVING ECCENTRIC REGULATING SCREW CHECK SCREW
200429-804	FEED DRIVING ECCENTRIC REGULATING SCREW
200437-803	FEED DRIVING ECCENTRIC REGULATING BRACKET FLANGE POSITION SCREW
200602-803	ARM SHAFT CONNECTION BELT PULLEY POSITION SCREW
200607-803	FEED DRIVING ECCENTRIC REGULATING BRACKET PLUNGER SPRING STOP SCREW
200833-803	NEEDLE BAR ROCK FRAME ROCK SHAFT CRANK CONNECTION HINGE SCREW
201171-803	FEED DRIVING CONNECTION HINGE SCREW
201220-833	FEED LIFTING CAM SET SCREW
201222-803	HOOK DRIVING GEAR POSITION SCREW (2)
201254-803	HOOK DRIVING SHAFT CONNECTION BELT PULLEY SET SCREW (2)
201517-805	FEED DRIVING CONNECTION HINGE SCREW NUT
201522-805	NEEDLE BAR ROCK FRAME ROCK SHAFT CRANK CONNECTION HINGE SCREW NUT
201525-805	FEED DRIVING ECCENTRIC REGULATING BRACKET HINGE SCREW NUT
201525-805	FEED DRIVING ECCENTRIC REGULATING BRACKET STOP SCREW NUT
202244	HOOK DRIVING SHAFT BUSHING (BACK) OIL PACKING (WICK)
202253	ARM SHAFT CONNECTION BELT PULLEY SPRING FLANGE (2)
202253	HOOK DRIVING SHAFT CONNECTION BELT PULLEY SPRING FLANGE
202277	FEED DRIVING CONNECTION OIL PACKING (WICK)
202277	NEEDLE BAR ROCK FRAME ROCK SHAFT CRANK CONNECTION OIL PACKING (WICK)
202277	FEED DRIVING CONNECTION HINGE SCREW OIL PACKING (WICK)
202300	FEED DRIVING ECCENTRIC REGULATING BRACKET
223867	HOOK DRIVING GEAR (SPIRAL) (2) WITH TWO EACH 200362 AND 201222
224104	ARM SHAFT CONNECTION BELT PULLEY WITH 200327, 200602 AND TWO 202253
224107	FEED DRIVING ECCENTRIC REGULATING BRACKET WITH 202300, 224108, TWO EACH 200256 AND 201525
224108	FEED DRIVING ECCENTRIC REGULATING BRACKET FLANGE WITH 200383 AND 200437
224111	HOOK DRIVING SHAFT BUSHING (BACK) WITH 202244



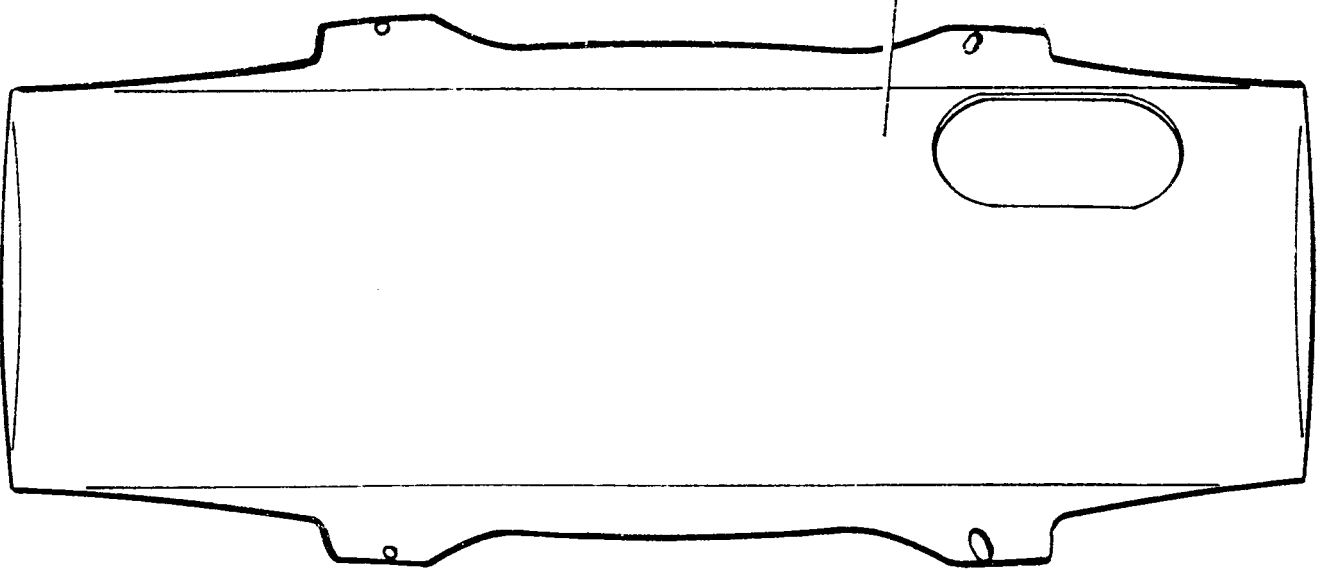
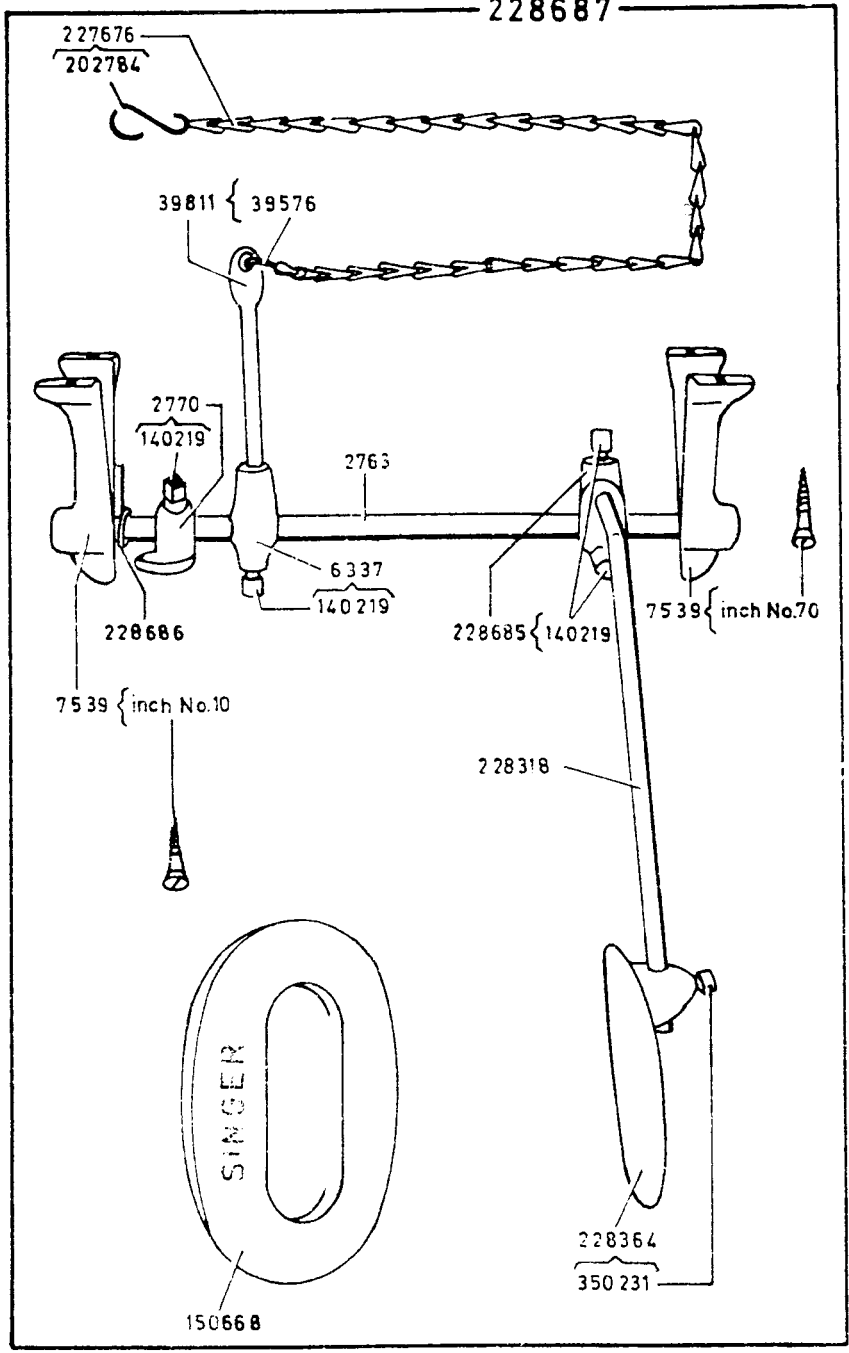
PART NO.	DESCRIPTION
200061-833	THREAD CONTROLLER STUD SET SCREW
200132-805	THREAD CONTROLLER SPRING STOP SCREW
200159-806	TENSION BRACKET SCREW
200309-805	TENSION RELEASE LEVER SCREW (2)
200366-819	THREAD RETAINER SET SCR.W (2)
200582-819	THREAD GUIDE SCREW (3)
200978-819	THREAD CONTROLLER DISC SCREW
201199-806	THREAD CONTROLLER STUD CPL.
201224-839	TENSION STUD (2)
201572-819	TENSION THUMB NUT (2)
201771-819	THREAD CONTROLLER STUD THUMB NUT
204271	TENSION RELEASE WASHER (2)
210954	THREAD GUIDE (CENTER)
223408	TENSION SPRING (2)
223702	TENSION BRACKET WITH TWO EACH 201224 AND 236060
223703	TENSION RELEASE LEVER
223704	TENSION RELEASE PLUNGER (2)
223706	THREAD CONTROLLER DISC
224040	THREAD GUIDE (LOWER)
236060	TENSION DISC POSITION PIN (2)
240034	THREAD RETAINER (2)
241360	THREAD CONTROLLER SPRING STOP
244048	TENSION DISC (4)
248217	TENSION BRACKET CPL. NOS. 200978, 201199, 223702, 223703, 223706, 267368, TWO EACH 200309, 204271, 223438, 223704, THREE 201572 AND FOUR 244048
267246	THREAD GUIDE (UPPER)
267368	THREAD CONTROLLER SPRING



PART NO.	DESCRIPTION
002763	KNEE LIFTER ROCK SHAFT
002770	KNEE LIFTER ROCK SHAFT STOP DOG WITH 140219
006337	KNEE LIFTER ROCK SHAFT LIFTING BRACKET WITH TWO 140219
007539	KNEE LIFTER ROCK SHAFT HANGAR (BACK) (2) WITH TWO WOOD SCREWS 1 INCH NO.10
039576	KNEE LIFTER ROCK SHAFT LIFTING CHAIN HOOK
039811	KNEE LIFTER ROCK SHAFT LIFTING BRACKET EXTENSION WITH 39576
140219-803	KNEE LIFTER ROCK SHAFT STOP DOG SET SCREW
140219-803	KNEE LIFTER ROCK SHAFT LIFTING BRACKET SET SCREW (2)
140219-803	KNEE LIFTER ROCK SHAFT LIFTING BRACKET SET SCREW (2)
150668	KNEE LIFTER ROCK SHAFT KNEE PLATE PAD (RUBBER)
202784	KNEE LIFTER ROCK LEVER CHAIN HOOK
224121	DRIP PAN, 20 INCH LONG, WITH FOUR 3/4 INCH WIRE NAILS
227676	KNEE LIFTER ROCK LEVER CHAIN 18 INCH LONG WITH 202784
228318	KNEE LIFTER ROCK LEVER KNEE PLATE ARM
228364	KNEE LIFTER ROCK LEVER KNEE PLATE WITH 350231
228385	KNEE LIFTER ROCK SHAFT KNEE PLATE ARM BRACKET WITH TWO 140219
228686	KNEE LIFTER ROCK SHAFT KNEE PLATE ARM COUNTERBALANCE SPRING
228687	KNEE LIFTER ROCK SHAFT CPL. NOS. 2763, 2770, 6337, 39811, 150668, 227676, 228318, 228364, 228385, 228686 AND TWO 7539
350231-850	KNEE LIFTER ROCK LEVER KNEE PLATE SET SCREW

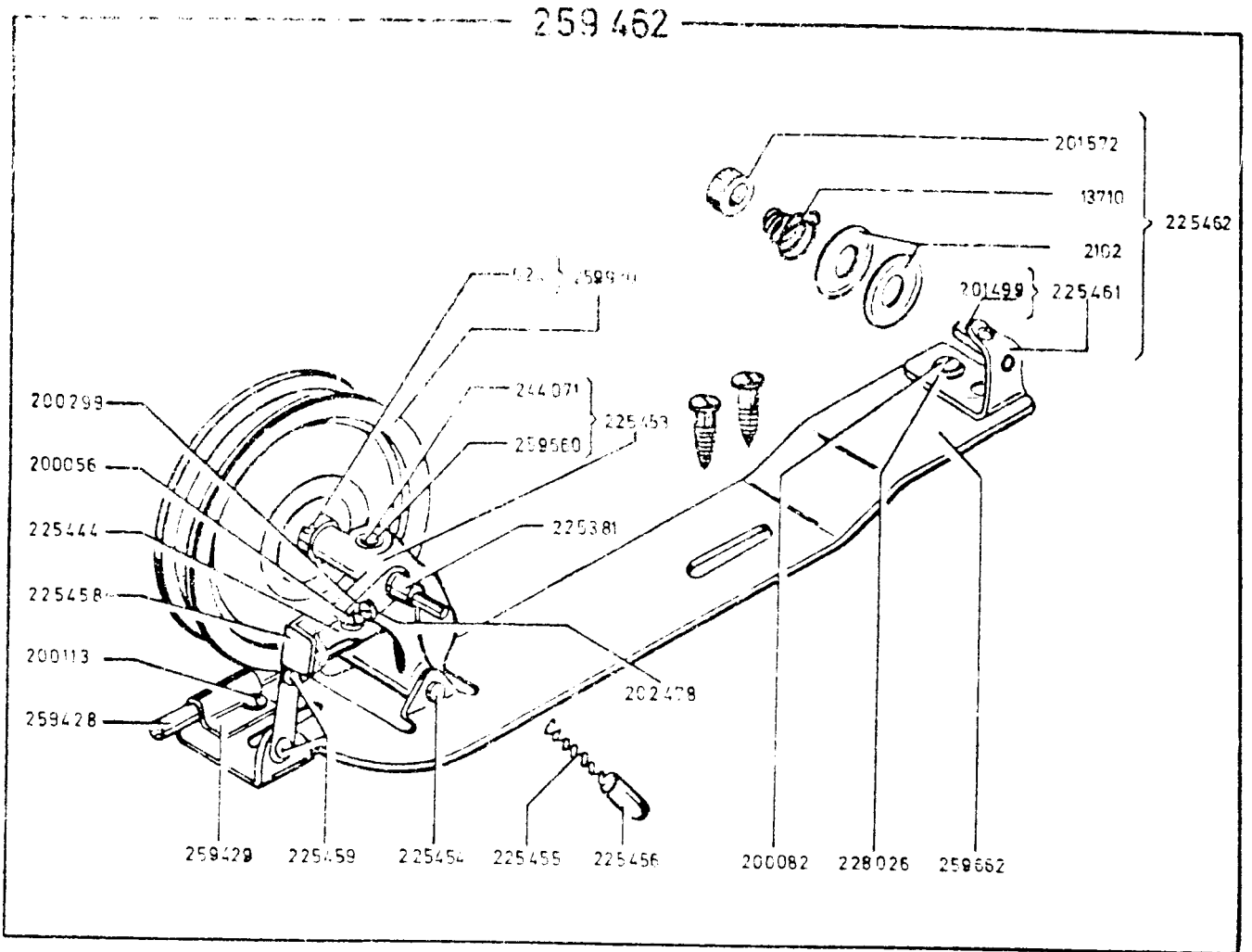
228687

ACCESSORIES



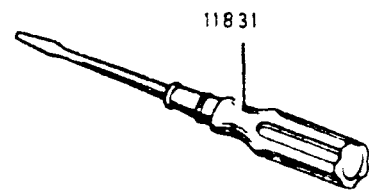
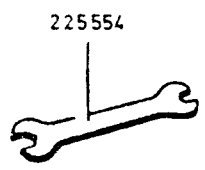
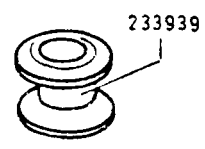
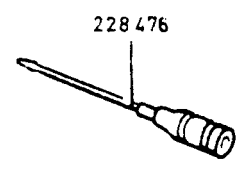
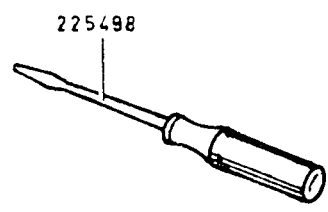
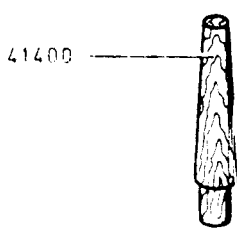
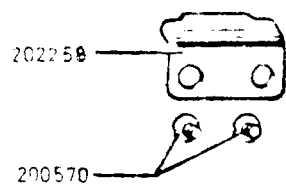
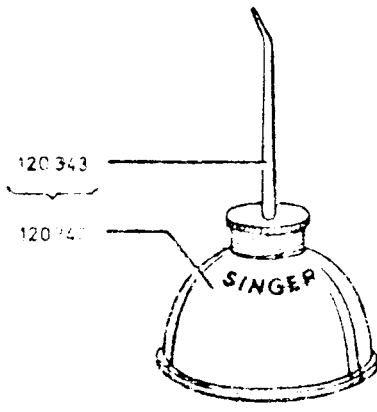
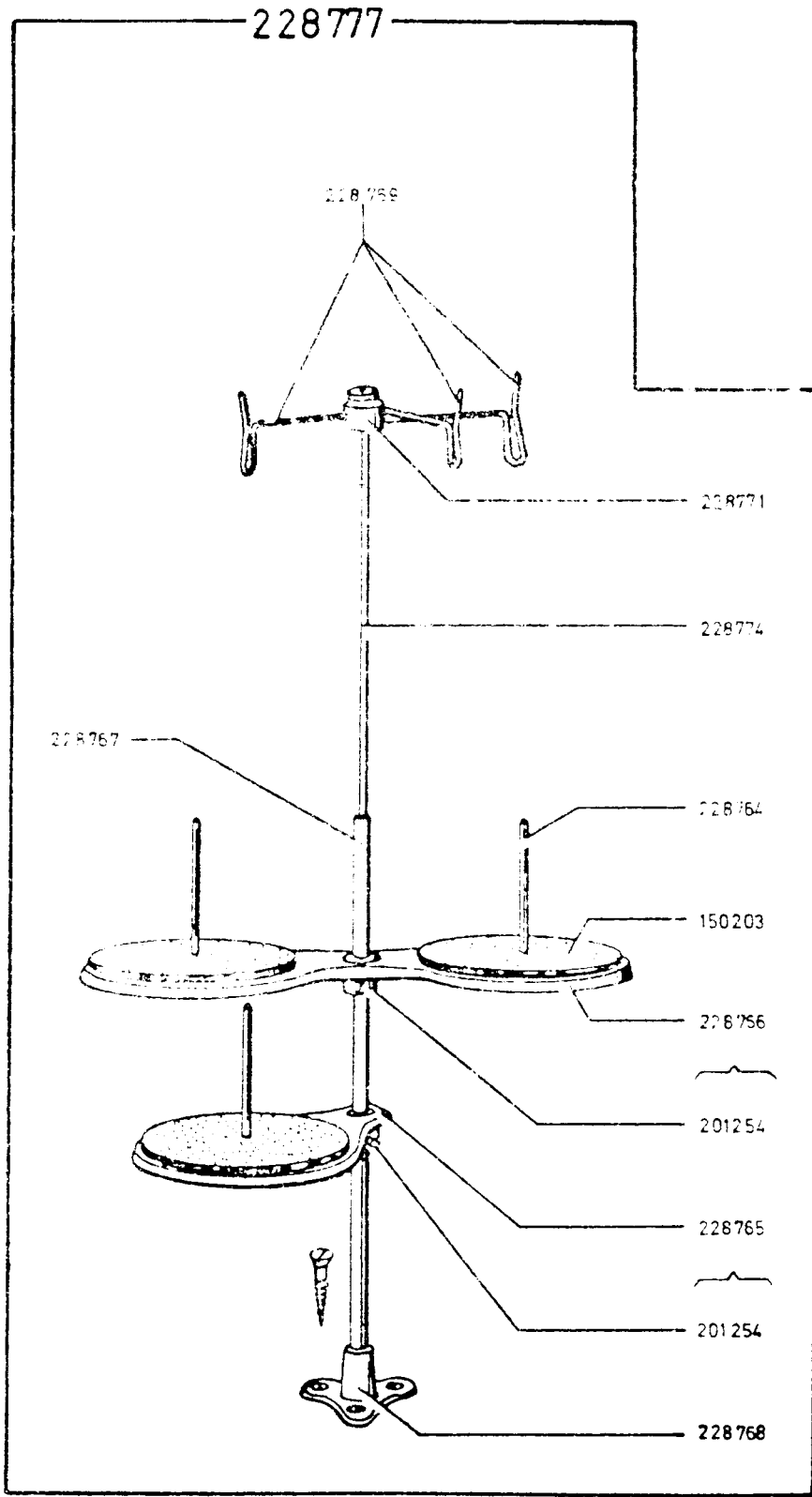
PART NO.	DESCRIPTION
000624-833	BOBBIN WINDER PULLEY SET SCREW
002102	BOBBIN WINDER TENSION DISC (2)
013710	TENSION SPRING
200056-805	BOBBIN WINDER STOP LATCH SCREW
200082-804	BOBBIN WINDER TENSION BRACKET SCREW
200113-850	BOBBIN WINDER BRAKE CLAMP SCREW
200299-819	BOBBIN WINDER STOP LATCH TRIP LEVER HINGE SCREW
201499-819	BOBBIN WINDER TENSION STUD
201572-819	BOBBIN WINDER TENSION STUD THUMB NUT
202478	BOBBIN WINDER STOP LATCH TRIP LEVER
225381	BOBBIN WINDER SPINDLE
225444	BOBBIN WINDER STOP LATCH
225453	BOBBIN WINDER FRAME WITH 244071 AND 259660
225454	BOBBIN WINDER FRAME HINGE PIN
225455	BOBBIN WINDER FRAME SPRING
225456	BOBBIN WINDER FRAME SPRING PLUNGER
225458	BOBBIN WINDER STOP LATCH THUMB LEVER
225459	BOBBIN WINDER STOP LATCH THUMB LEVER HINGE AND JOINT STUD (2)
225461	BOBBIN WINDER TENSION BRACKET WITH 201499
225462	BOBBIN WINDER TENSION BRACKET CPL. NOS. 13710, 201572, 225461 AND TWO 2102
228026	BOBBIN WINDER TENSION BRACKET SCREW WASHER
244071	BOBBIN WINDER FRAME OIL PACKING WICK
259428	BOBBIN WINDER BRAKE (LEATHER)
259429	BOBBIN WINDER BRAKE CLAMP
259462	UNIVERSAL BOBBIN WINDER CPL. NOS. 200056, 200082, 200113, 200299, 202478, 225381, 225444, 225453 TO 225456, 225458, 225462, 228026, 259428, 259429, 259662, 259930, TWO 225459 AND TWO WOOD SCREWS NO. 12, 0.4 INCH LONG R.H.B.
259660	BOBBIN WINDER FRAME OIL WELL WASHER
259662	BOBBIN WINDER AND TENSION BRACKET BASE
259930	BOBBIN WINDER PULLEY WITH 624

ACCESSORIES



PART NO.	DESCRIPTION
1901-20-2	NEEDLE (10)
011831	SCREW DRIVER
041400	MACHINE REST PIN (WOOD)
120342	OILER (COPPER PLATED) WITH 120343
120343	OILER SPOUT
150203	THREAD UNWINDER SPOOL REST CUSHION (FELT) (3)
200570-805	BED HINGE CONNECTION SCREW (4)
201254-803	THREAD UNWINDER SPOOL REST SET SCREW (2)
202258	BED HINGE CONNECTION (2)
225498	SCREW DRIVER (7-1, 1/4 INCH LONG)
225554	WRENCH
233939	BOBBIN (4)
228476	SCREW DRIVERS
228764	THREAD UNWINDER SPOOL PIN (3)
228765	THREAD UNWINDER SPOOL REST (FOR ONE SPOOL) (FLAT) WITH 201254
228766	THREAD UNWINDER SPOOL REST (FOR TWO SPOOLS) (FLAT) WITH 201254
228767	THREAD UNWINDER SPOOL REST ROD
228768	THREAD UNWINDER SPOOL STAND
228769	THREAD UNWINDER THREAD GUIDE
228771	THREAD UNWINDER THREAD GUIDE HOLDER (FOR THREE GUIDES)
228774	THREAD UNWINDER THREAD GUIDE ROD
228777	THREAD UNWINDER CPL. (FOR THREE SPOOLS) NOS. 228765 TO 228768, 228771, 228774, THREE EACH 150203, 228764, 228769 AND WOOD SCREWS 7/8 INCH NO. 12

ACCESSORIES



NUMERICAL LIST OF PARTS

PART NO.	PAGE NO.	PART NO.	PAGE NO.	PART NO.	PAGE NO.
		200335	4, 14	202253	14
000624	20	200338	2	202258	22
1501-20-2	2, 20	200347	2	202277	2, 14
002102	20	200352	6	202299	4
002743	18	200362	14	202300	14
002770	18	200366	16	202330	4
004007	18	200374	4	202333	4
005539	18	200389	10	202335	6
011801	22	200382	4, 6, 14	202348	6
013710	20	200387	2	202359	4
039573	18	200429	14	202400	4
039811	18	200432	4	202401	6
041400	22	200437	14	202420	4
054897	14	200473	8	202478	20
120342	22	200502	2	202619	2
120343	22	200555	10	202625	8
140219	18	200570	22	202666	4
141566	2	200577	10	202668	2
141567	2	200582	16	202671	6
150203	22	200583	10	202692	4
150303	18	200584	12	202784	18
200008	10	200590	14	202812	4
200010	6	200592	14	202814	12
200024	4	200597	6	202818	12
200029	2	200598	14	202819	12
200040	6	200599	10	202814	12
200040	14	200599	2	202816	12
200056	20	200599	6	202822	12
200061	12	200599	16	202824	10
200072	4	200584	12	202820	10
200074	6	201147	2	202827	10
200076	10	201171	14	204271	16
200082	20	201183	4	206608	6
200086	6	201199	16	207072	6
200096	2	201220	14	207080	2
200098	4, 10	201222	14	207963	6
200113	14, 20	201224	16	207965	8
200132	6, 10, 16	201253	12	208566	6
200138	10	201254	14, 22	210910	2
200141	2	201272	10	210911	8
200159	10, 16	201499	20	210949	6
200164	14	201517	14	210954	16
200173	8	201518	8	221215	10
200242	8	201522	2, 14	223309	6
200256	14	201525	10, 14	223438	16
200263	10	201526	10	223650	6
200278	2	201572	16, 20	223652	8
200299	20	202135	8	223655	8
200309	16	202244	2, 14	223690	2
200327	14	202245	2	223702	16

NUMERICAL LIST OF PARTS

PART NO.	PAGE NO.	PART NO.	PAGE NO.	PART NO.	PAGE NO.
223703	16	228771	22	264034	10
223704	16	228774	22	264035	10
223706	16	228777	22	264038	14
223814	2	230795	6	264039	14
223867	14	233390	8	264040	10
224002	2	233939	12, 22	264041	10
224021	10	234065	10	264049	10
224028	2	234073	10	264052	14
224040	16	234074	10	264053	6
224100	12	234079	10	264054	6
224104	14	234083	10	264102	10
224107	14	234141	10, 12	264112	2
224108	14	234144	4	264113	2
224111	14	235072	6	264119	10, 12
224112	14	235779	12	264122	8
224113	14	236060	16	264123	14
224121	18	237001	14	264714	4
224122	2	237002	14	264718	4
224139	14	237168	12	267246	16
224154	14	237169	12	267267	2
224197	12	237206	14	267269	2
224392	2	237339	2	267273	8
225381	20	237569	4	267368	16
225444	20	238251	4	350231	18
225453	20	240054	16	350346	8
225454	20	240802	2	350393	8
225455	20	241360	16	350405	12
225456	20	241674	12	350431	2
225458	20	241675	12	350532	2
225459	20	241683	8		
225461	20	241688	2		
225462	20	244048	16		
225498	22	244071	4, 20		
225554	22	248217	16		
225837	8	249072	10		
227561	8	259428	20		
227676	18	259429	20		
228026	20	259462	20		
228318	18	259660	20		
228364	18	259662	20		
228476	22	259930	20		
228685	18	264003	2		
228686	18	264006	8		
228687	18	264007	8		
228764	22	264008	14		
228765	22	264009	8		
228766	22	264018	10		
228767	22	264031	10		
228768	22	264032	10		
228769	22	264033	10		